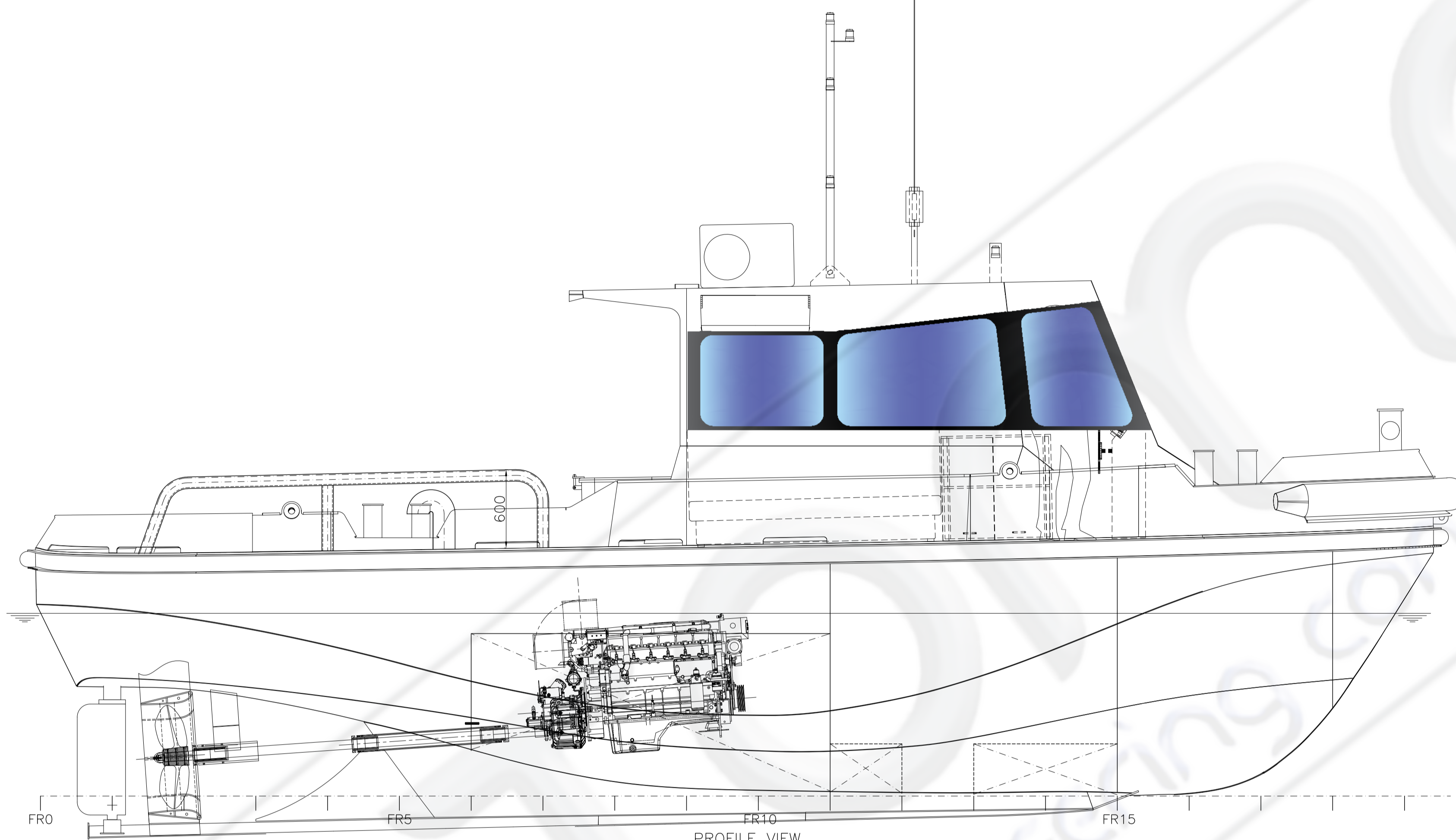
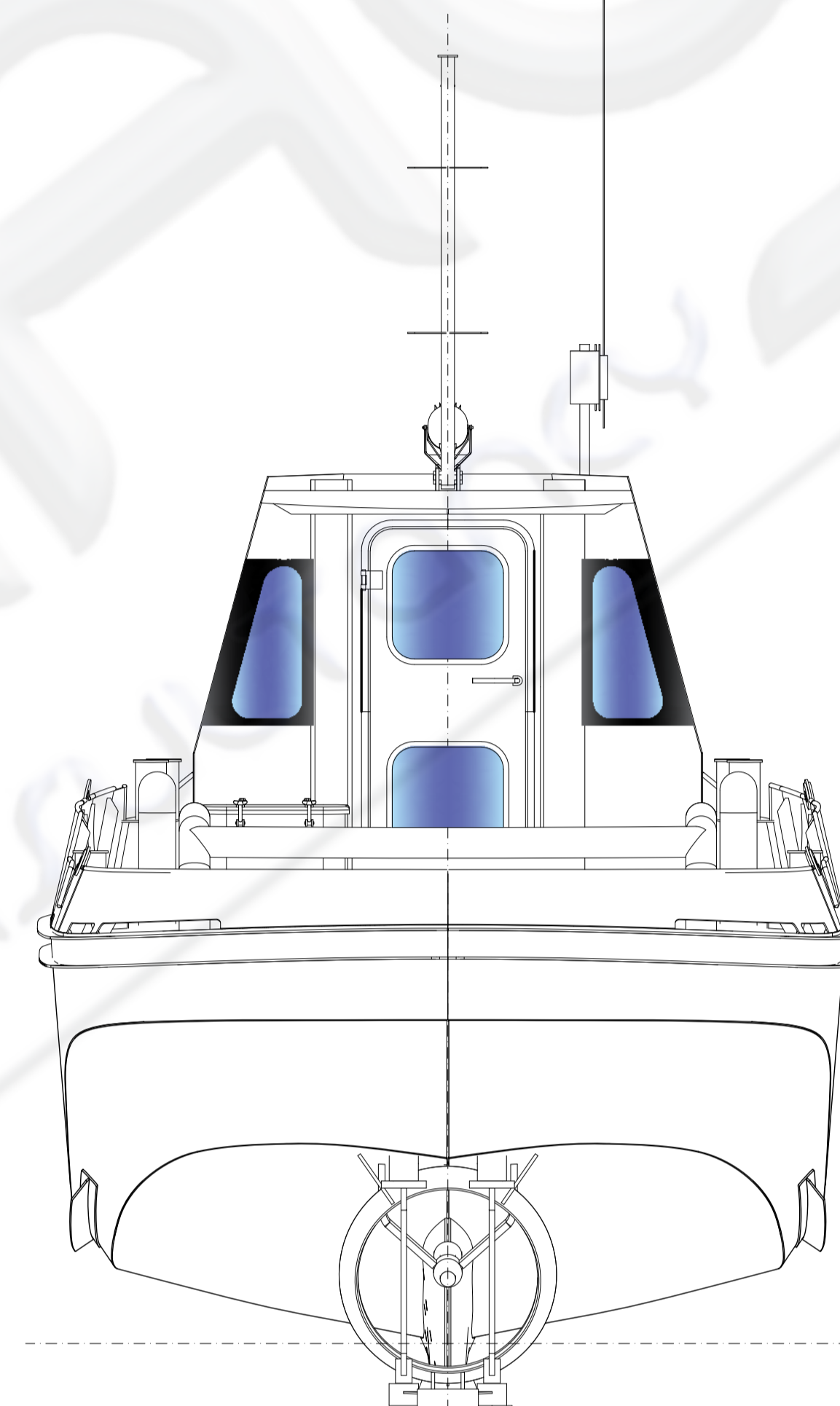


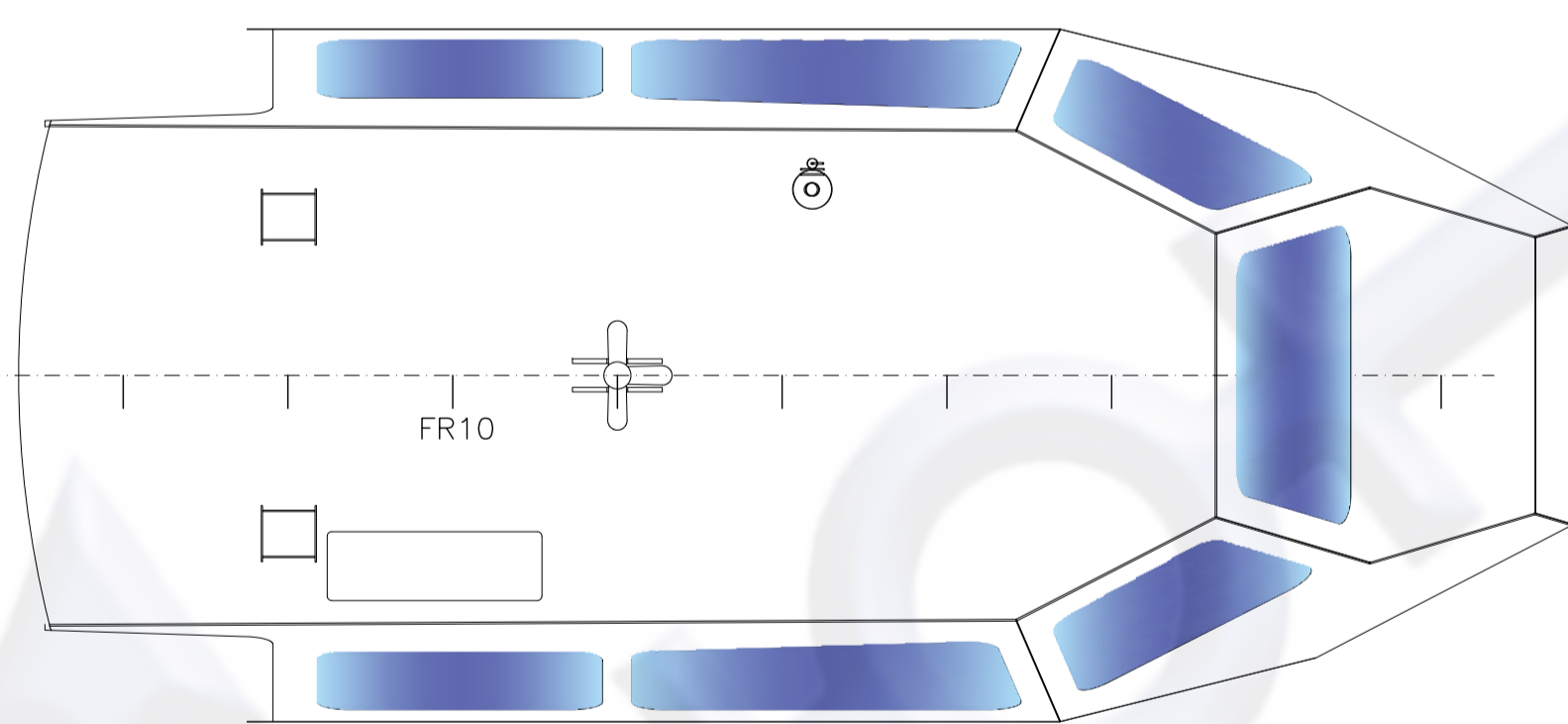
FRONT VIEW



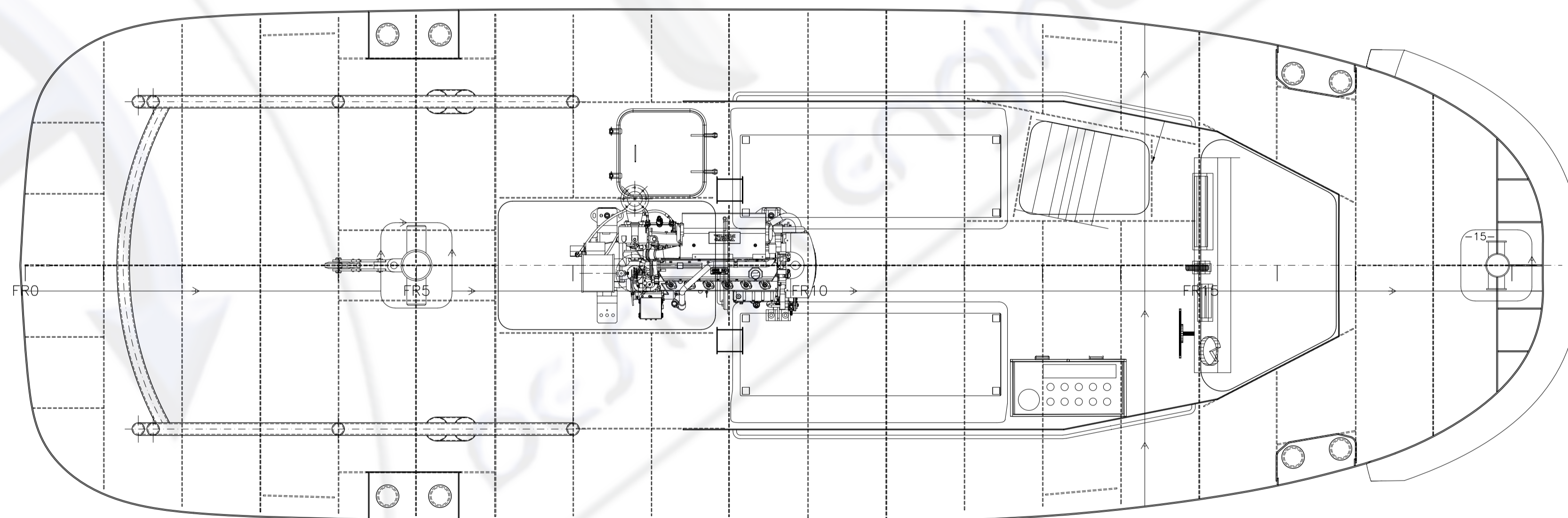
PROFILE VIEW



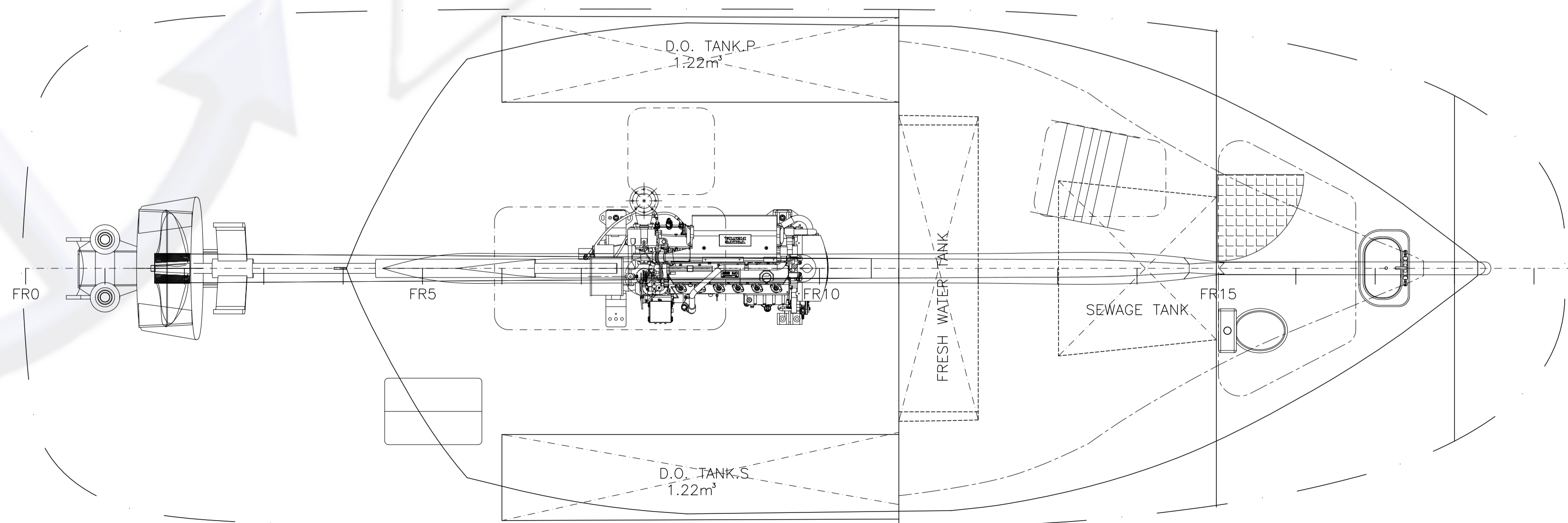
REAR VIEW



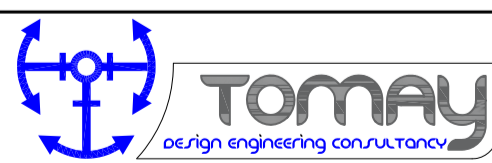
COMPASS DECK PLAN VIEW



DECK PLAN VIEW



BOTTOM PLAN VIEW

No	Date	Rev. By.	Revision Note	APPROVAL STAMP
MAIN DIMENSIONS Length O.A. (inc. fenders) : 10.946m Length (Hull) : 10.693m Length W.L. : 10.360m Length P.P. : 9.821m Breadth (inc. fenders) : 3.832m Breadth (Hull) : 3.574m Depth at midship : 2.100m Draught (Abt.) : 1.400m Engine Power : 195kW				
				WORK BOAT
TBN-TUG-06 GENERAL ARRANGEMENT				
Design	Teoman TOMBAK	Shipyard	EREGLI SHIPYARD	
Drawn	A. Burak KABASAKAL	Owner	MED MARINE	
Control	Teoman TOMBAK	Class		
Approved		Hull No	ER-67	
<small>THIS DESIGN AND ITS COPYRIGHTS ARE PROPERTIES OF TEOMAN TOMBAK/TOMAY. THE DRAWINGS & SPECIFICATIONS CONTAINED HEREIN SHALL NOT BE REPRODUCED IN WHOLE OR IN PART, OR NOT TO BE GIVEN TO THIRD PARTIES WITHOUT WRITTEN PERMISSION FROM TEOMAN TOMBAK / TOMAY.</small>				Project No TUG-06
<small>BU TASARIN VE BUNUNLA ILGILI RESMİYERİN TEHLİ - HAKLARI TEOMAN TOMBAK A AİTTİR. TEOMAN TOMBAK'IN YAZILI İZİNİNSİZ OLUNMAYAN BU DOKÜMAN VEYA BUNUN BİR KISMI ÜÇÜNCÜ SAHİPLERİNE VERİLMEDİR. TEKSİR VEYA KOPYA EDİLMEDİR VE HER NE WAKSILDA OLURSA OLUSUN WAHSİDİ İZDİNDİR KULLANILMAZ.</small>				Drawing No R-01
Scale 1/25				Issue Date 13.02.2018